



, \$\$'& (%\$- &) !'D<CB9
 -' +!* *\$*, +' !': 5L
 info@eco-span.com

THREE-SIDED STRUCTURE PROJECT INFORMATION

*Please complete all of the information below
 and provide any relevant drawings and specifications.*

GENERAL INFORMATION

Project Name: _____
 Address or Coordinates: _____
 City: _____
 County: _____
 State: _____
 Company: _____
 Contact: _____
 Phone: _____
 E-mail: _____

ITEMS NEEDED

Budget Estimate
 Bridge Layout Drawings
 Design Report
 Other:

ARCH SHAPE

Arch-Box
 Multiple Radius Arch
 Single Radius Arch
 Best Fit

BRIDGE SIZE / SITE

Span (ft): _____
 Precast Unit Rise (ft): _____
 Clear Rise (ft): _____
 Number of Cells: _____
 Bridge Length (ft): _____
 Skew Angle (deg): _____
 Skewed End Units

FOUNDATION TYPE

Strip
 Slab
 Deep Fdn.
 Paved Invert

FLOW LINE

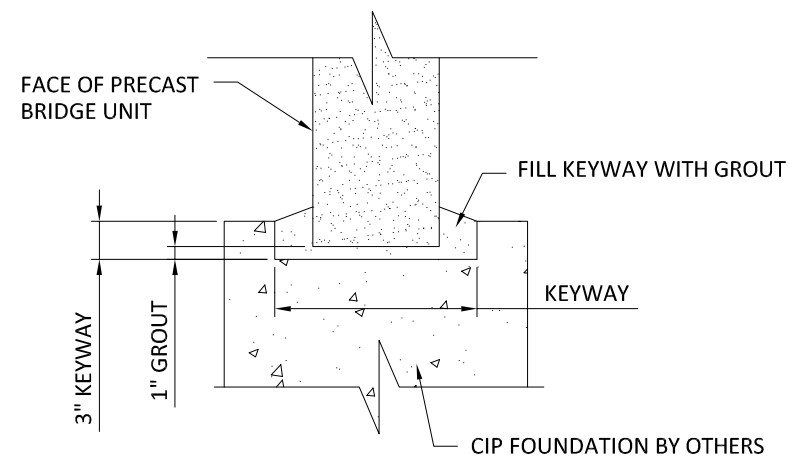
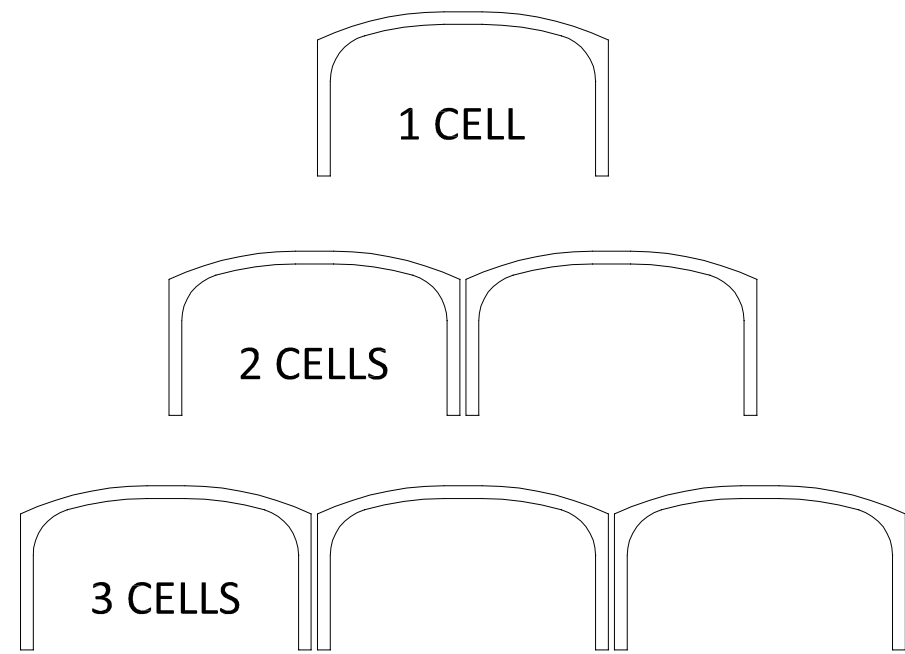
Upstream Flow Line Elev. (ft): _____
 Downstream Flow Line Elev. (ft): _____

HEADWALL TYPE

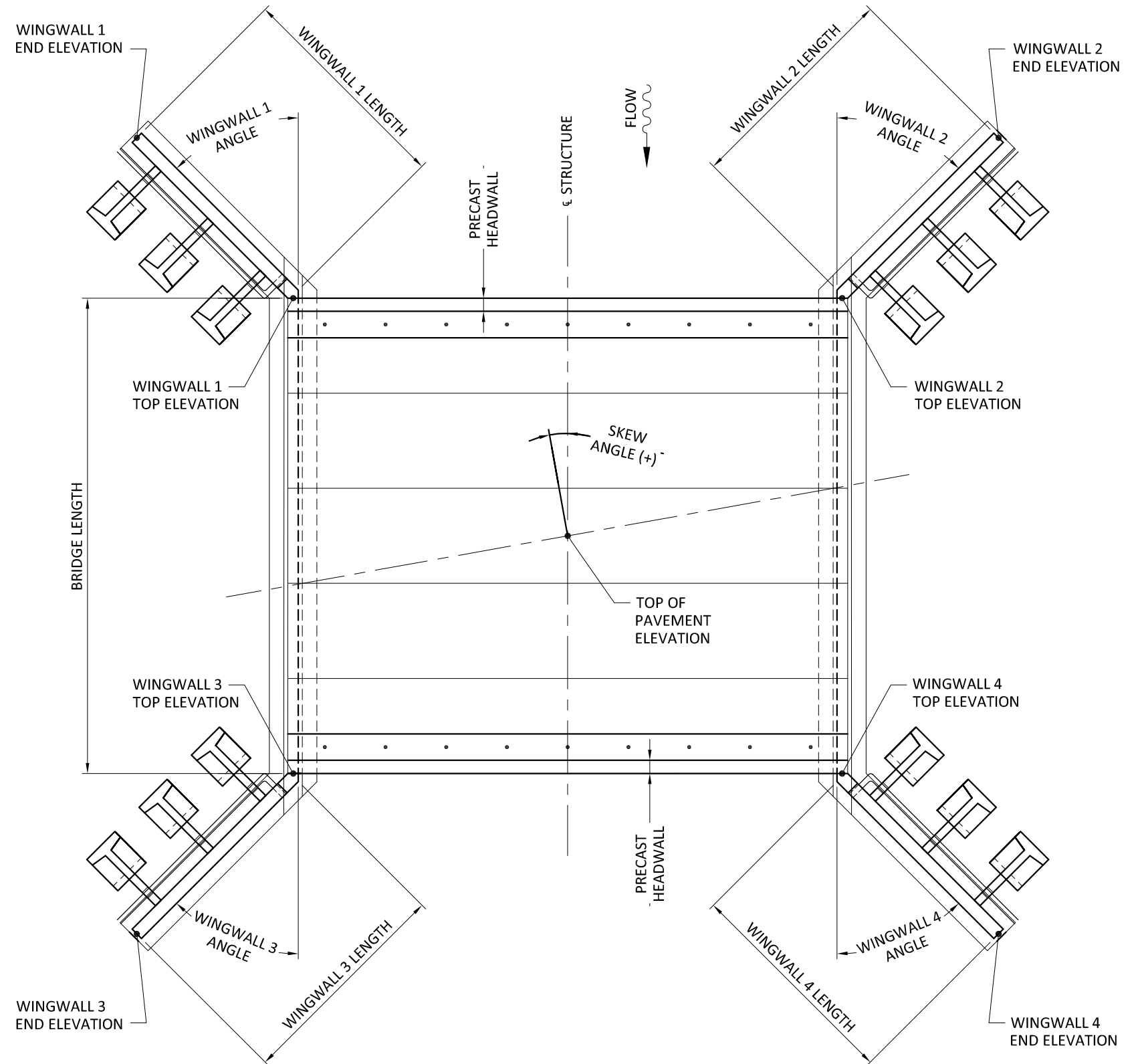
Precast
 Cast-in-place
 MSE
 None
 Attached Barrier / Rail

WINGWALLS	LENGTH (FT)	ANGLE (DEG)	TOP ELEV. (FT)	END ELEV. (FT)	TYPE (ANCHOR, MSE, CIP)
Wingwall 1					
Wingwall 2					
Wingwall 3					
Wingwall 4					

NOTES:



BRIDGE UNIT GROUT DETAIL



BRIDGE PLAN

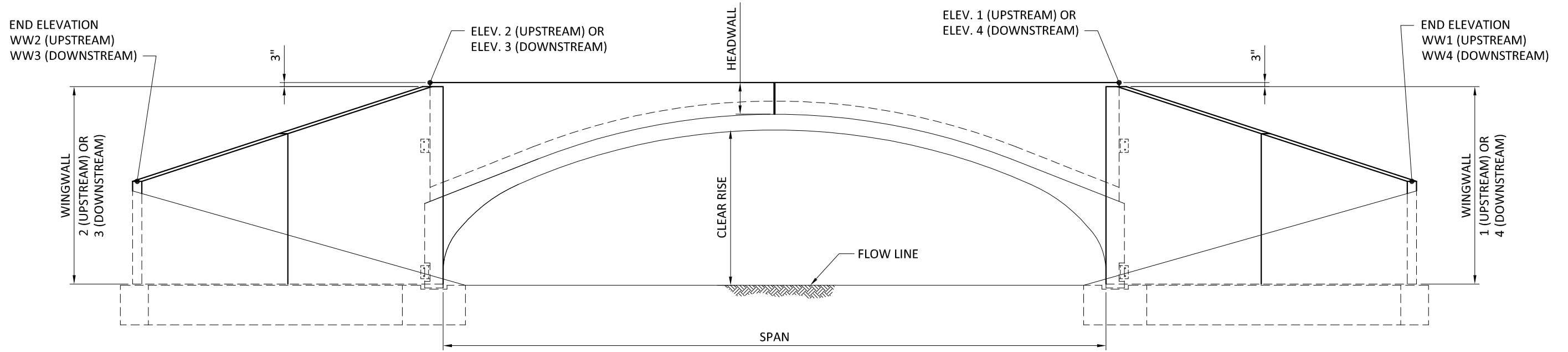
NOTE: SKEW ANGLE IS MEASURED FROM THE CENTERLINE OF STRUCTURE TO A LINE PERPENDICULAR TO THE CENTERLINE OF ROADWAY. ENTER A RIGHT-FORWARD SKEW (SHOWN) AS A POSITIVE NUMBER OR LEFT-FORWARD SKEW AS A NEGATIVE NUMBER.



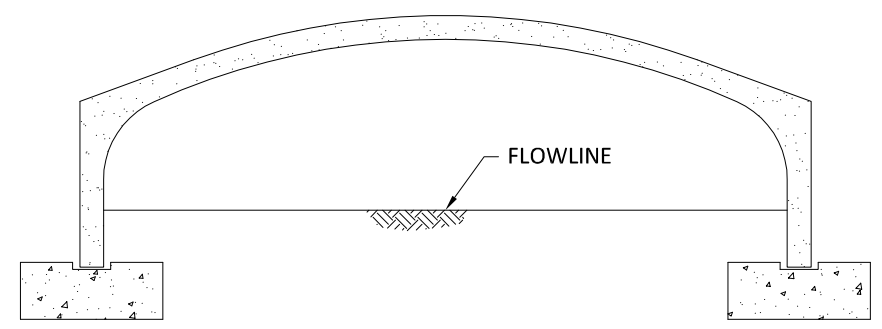
DESIGN CENTER
INPUT SUMMARY

WWW.ECO-SPAN.COM

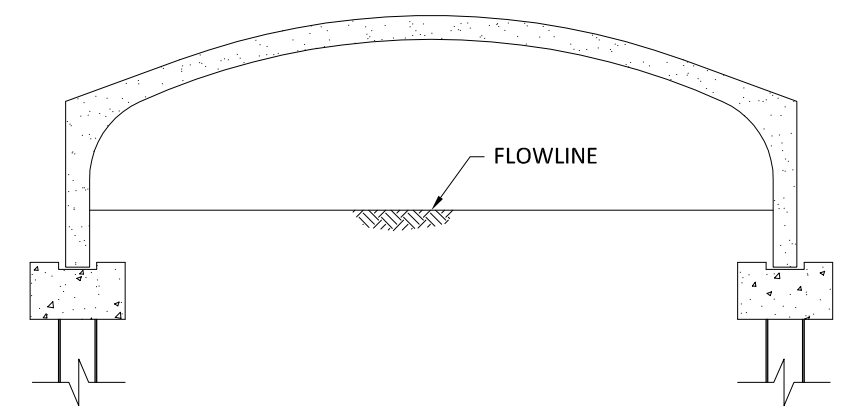
800.241.0925



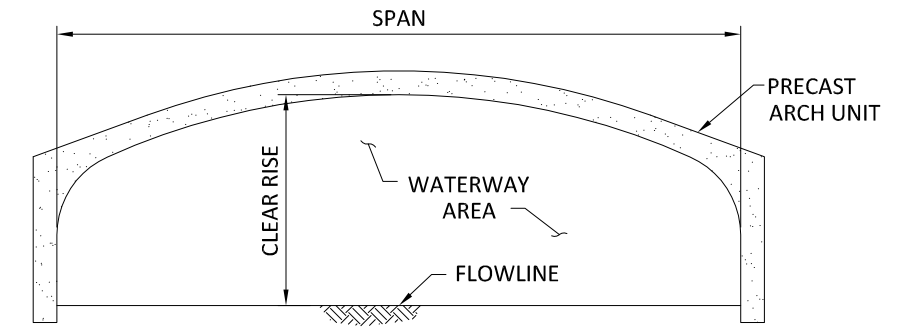
BRIDGE ELEVATION



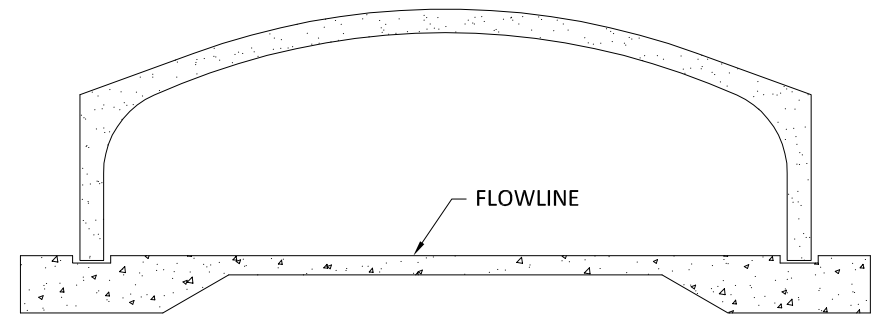
STRIP FOUNDATION



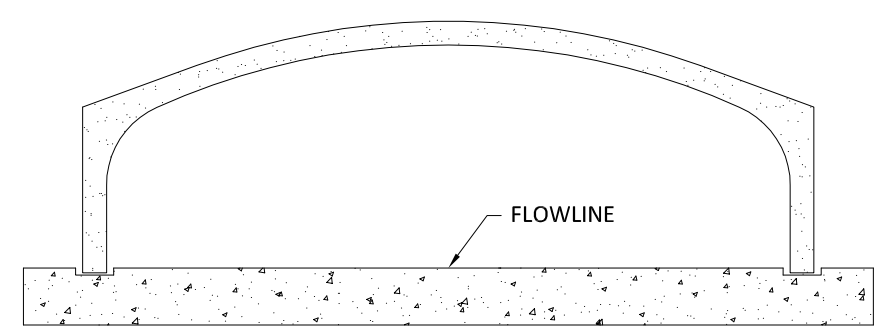
DEEP FOUNDATION (PILE/ CAISSON)



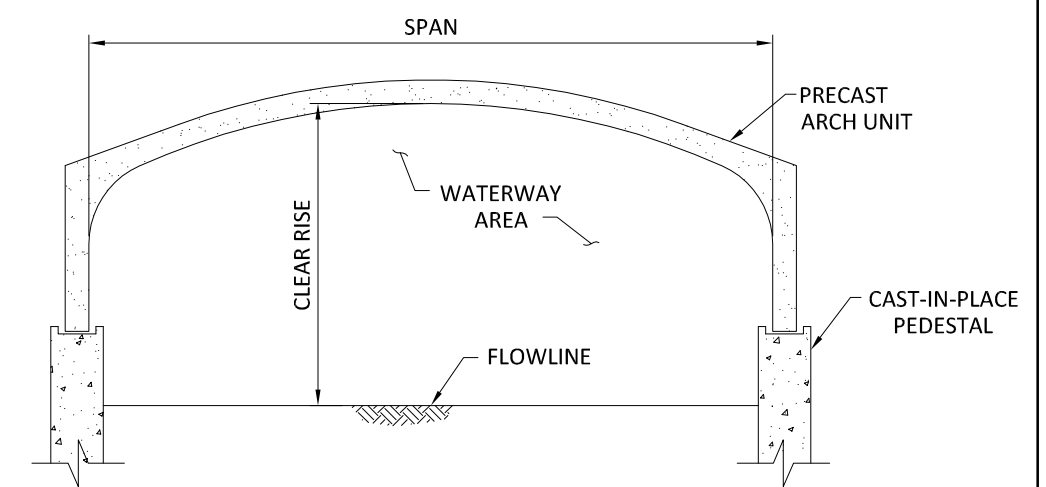
TYPICAL SECTION



STRIP FOUNDATION W/ PAVED INVERT



STRUCTURAL BASE SLAB FOUNDATION



PEDESTAL FOUNDATION SECTION

NOTE: PEDESTAL MAY BE ADDED TO ANY FOUNDATION TYPE ABOVE FOR INCREASED VERTICAL CLEAR RISE.



**DESIGN CENTER
INPUT SUMMARY**
WWW.ECO-SPAN.COM
800.241.0925